

zenithinteriors.com

# SOL-SKETCH Whiteboard

Zenith



## Features:

SOL-MIX is designed around four key pillars of contemporary working behaviours: facilitating spaces for formal or informal meeting situations, social aspects of our daily routines, creative collisions for knowledge sharing, and moments requiring retreat and focus.

SOL-Sketch is a double-sided whiteboard. The incorporation of large castors makes the board easily movable which enhances spontaneous work encounters and the ability to work flexibly around the office. It acts as the innovation hub for meetings, presentations, or simply as an efficient way to temporarily divide openplan spaces.

## Options:

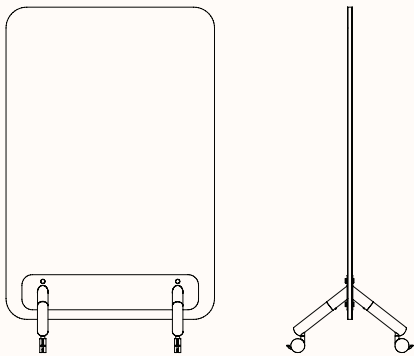
- Magnetic board

**Design:** ZENITH DESIGN STUDIO

**Warranty:** 5 years

**Certification:** GECA

## Dimensions



## SOL-Sketch

OW 1200mm  
OD 725mm  
OH 1991mm

## Finishes:

Solid timber and powder coated metal base.

### American Oak



Natural

### Powder Coat



**Cool White**  
(Satin/ Matt/  
Fine Texture)



**Warm White**  
(Matt)



**Cool Grey**  
(Satin/  
Fine Texture)



**Gum Grey**  
(Fine Texture)



**Monument**  
(Matt)



**Black**  
(Satin/ Matt/  
Fine Texture)



**Chocolate**  
(Matt/  
Fine Texture)



**Burnt Umber**  
(Matt/  
Fine Texture)



**Blush Pink**  
(Matt/  
Fine Texture)



**Rust**  
(Matt/  
Fine Texture)



**Sky Blue**  
(Matt/  
Fine Texture)



**Indigo**  
(Matt/  
Fine Texture)



**Olive**  
(Matt/  
Fine Texture)